



**GENERAL PURPOSE  
(ORDINARY) LOCATION**

**CAB SERIES OF WALL MOUNT AIR CONDITIONERS AND HEAT PUMPS**

CAB	LCAB	HACAB	RMP/AMP	CC	CY	RVP	CUSTOM	CU
-----	------	-------	---------	----	----	-----	--------	----

Custom Controls provides energy efficient vertical wall mount heat pumps and step capacity air conditioners that provide cooling, heating ventilation and pressurization for Industrial Non-hazardous duty applications. Units range from 1.0 to 6.0 tons. Units can be controlled individually or by Lead/Lag controls for redundant units. No onsite refrigerant piping or exterior ductwork is required for wall mount installation.

Typical applications include RIE Buildings, MCC Buildings, Switchgear Buildings, Offshore Drilling Rigs, Containers, Man Camps, Storage Facilities and Service vans, manufacturing facilities, offices and other non-hazardous locations.

**FEATURES:**

- Environment Friendly refrigerant - R410A
- Aluminum fin/copper tube coils for maximum heat transfer
- Fully insulated chamber for quiet operation
- Washable filters
- Complete recirculation of indoor air
- Totally enclosed fan motor
- Side and bottom mounting angles provided
- High efficiency compressors
- High and low refrigerant pressure switches

**OPTIONS:**

- Industrial cabinet coatings
- 50 Hz operation
- Steam or electric heat
- Copper fin/copper tube coils
- 316 Stainless steel cabinet and frame
- Auto changeover thermostat (for heat pumps and steam or electric heat)
- Alarm for loss of air flow
- Disconnect switch



**GENERAL PURPOSE  
(ORDINARY) LOCATION**  
- 60 HZ -  
R-410 REFRIGERANT

(1 of 3)

**CAB SERIES OF WALL MOUNT AIR CONDITIONERS 1 TON**

CAB	LCAB	HACAB	RMP/AMP	CC	CY/YY	RVP	CUSTOM	CU
-----	------	-------	---------	----	-------	-----	--------	----

MODEL	CAPACITY	POWER SUPPLY	COMPRESSOR RLA	INDOOR BLOWER MOTOR AMPS	OUTDOOR FAN MOTOR AMPS	COOLING AMPS
CAB12-B2-G-1	10,800	115-1-60	11.6	1.6	1.4	14.6
CAB12-B2-G-2	10,800	230/208-1-60	5.5	0.85	0.7	7.05

(continued)

MODEL	COOLING WATTS	MCA	CIRCUIT BREAKER OR T.D. FUSE	ROOM SIDE AIR (CFM)/ESP	SHIPPING WEIGHT (LBS)
CAB12-B2-G-1	1,679	20	30	400 @ 0.2"	180
CAB12-B2-G-2	1,622	9	15	400 @ 0.2"	180

**FILTER SIZE**

CABINET SIZE	FILTER SIZE
CAB 12	10" X 20" X 1"

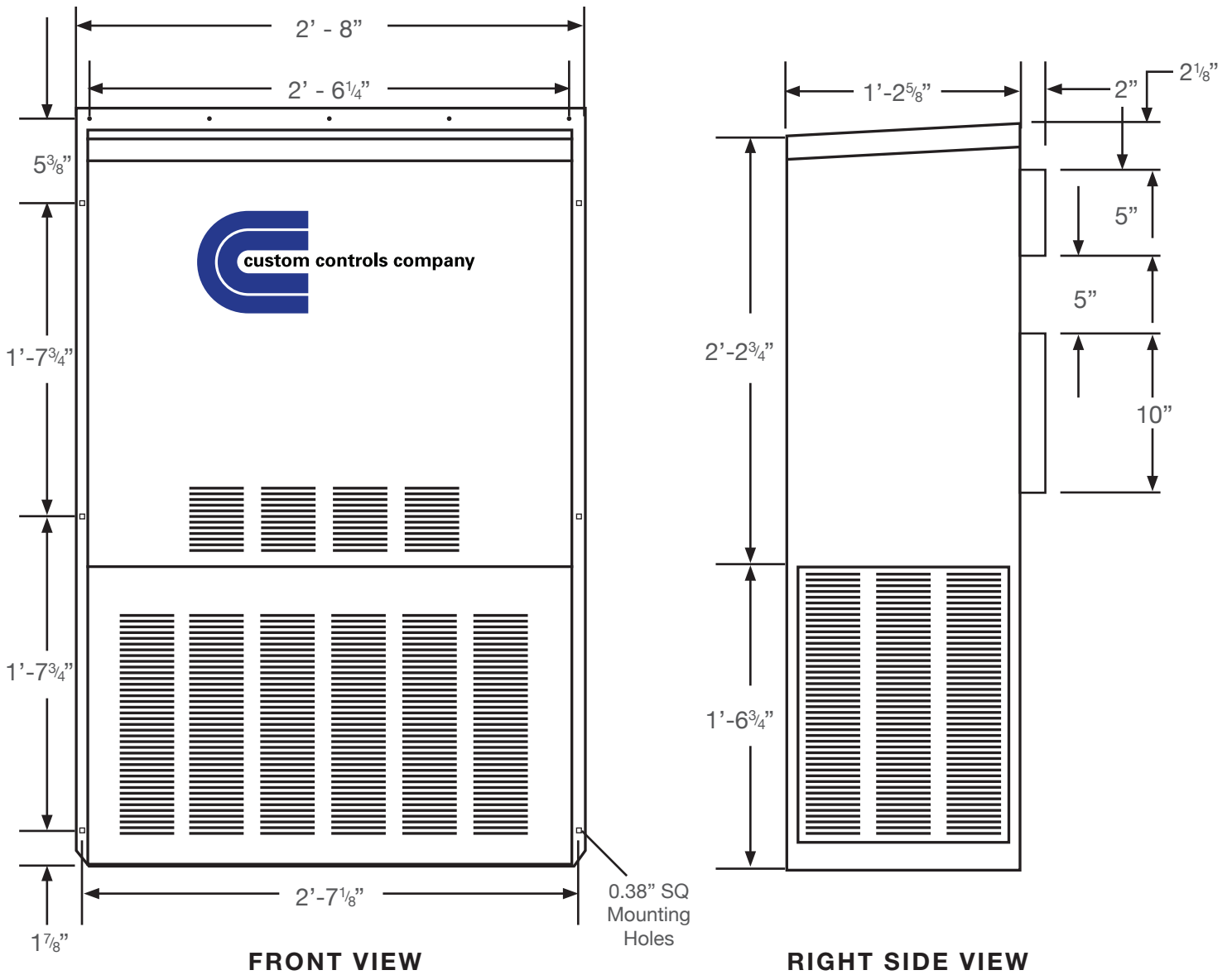


**GENERAL PURPOSE  
(ORDINARY) LOCATION**  
- 60 HZ -  
R-410 REFRIGERANT

(2 of 3)

**CAB SERIES OF WALL MOUNT AIR CONDITIONERS 1 TON**

CAB	LCAB	HACAB	RMP/AMP	CC	CY/YY	RVP	CUSTOM	CU
-----	------	-------	---------	----	-------	-----	--------	----



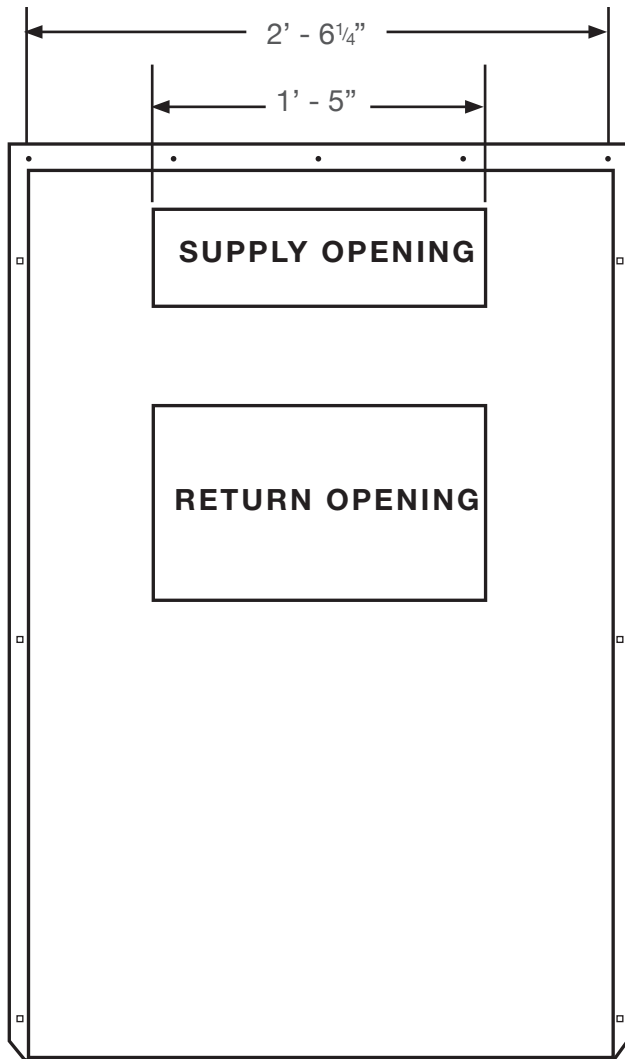


**GENERAL PURPOSE  
(ORDINARY) LOCATION**  
- 60 HZ -  
R-410 REFRIGERANT

(3 of 3)

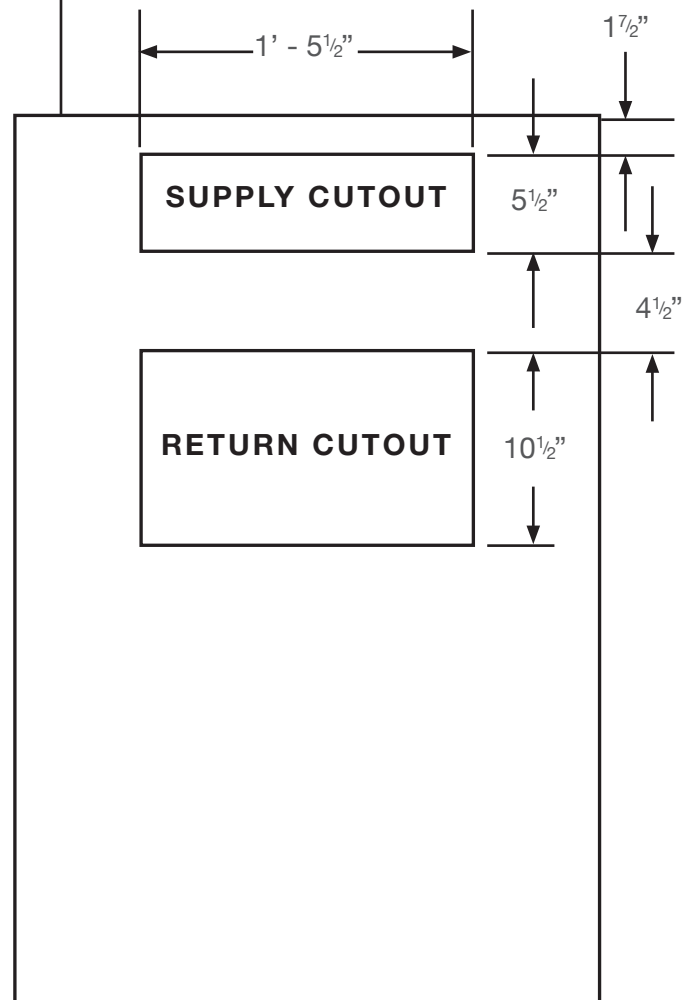
**CAB SERIES OF WALL MOUNT AIR CONDITIONERS 1 TON**

CAB	LCAB	HACAB	RMP/AMP	CC	CY/YY	RVP	CUSTOM	CU
-----	------	-------	---------	----	-------	-----	--------	----



**BACK VIEW**

**UNIT OUTLINE**



**WALL CUTOUT LOCATIONS**



**GENERAL PURPOSE  
(ORDINARY) LOCATION**

- 60 HZ -  
R-410 REFRIGERANT

(1 of 3)

**CAB SERIES OF WALL MOUNT AIR CONDITIONERS WITH ELECTRIC HEAT 1 TON**

CAB	LCAB	HACAB	RMP/AMP	CC	CY/YY	RVP	CUSTOM	CU
-----	------	-------	---------	----	-------	-----	--------	----

MODEL	POWER SUPPLY	MCA	MOCF	UNIT AMPS COOLING	UNIT AMPS HEATING	COOLING CAPACITY (BTUH)
CAB12-G-1-02	115-1-60	29	30	14.6	18.3	10,800
CAB12-G-2-03	230/208-1-60	20	20	7.0	13.4	10,800
CAB12-G-2-05	230/208-1-60	28	30	7.0	21.7	10,800

(continued)

MODEL	HEATING CAPACITY (KW)	COOLING WATTS	HEATING WATTS	ROOM SIDE AIR CFM/ESP	UNIT WEIGHT
CAB12-G-1-02	2	1,679	2,105	400 @ 0.2"	160
CAB12-G-2-03	3	1,610	3,082	400 @ 0.2"	160
CAB12-G-2-05	5	1,610	5,208	400 @ 0.2"	160

**FILTER SIZE**

CABINET SIZE	FILTER SIZE
CAB 12	10" X 20" X 1"

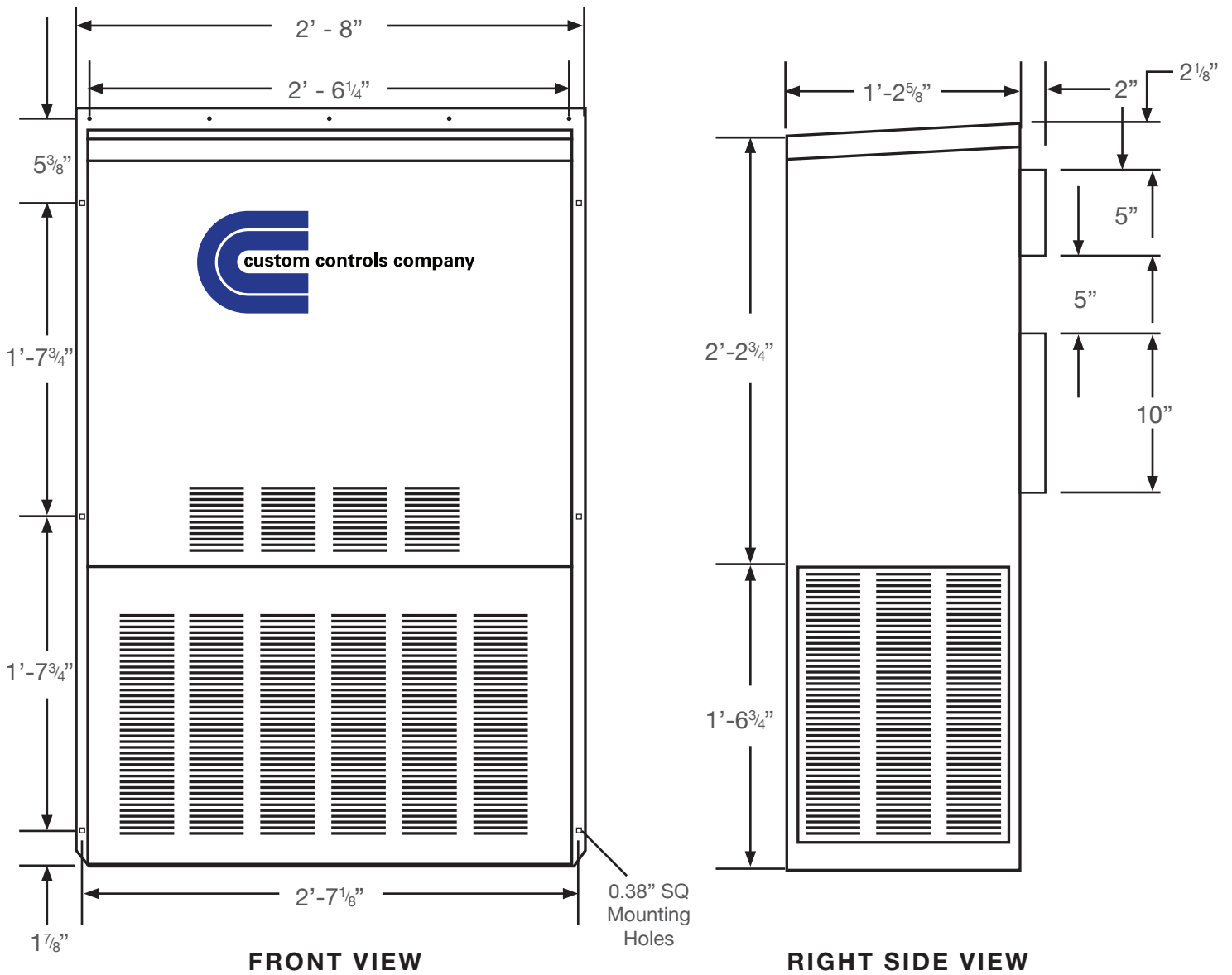


**GENERAL PURPOSE  
(ORDINARY) LOCATION**  
- 60 HZ -  
R-410 REFRIGERANT

(2 of 3)

**CAB SERIES OF WALL MOUNT AIR CONDITIONERS WITH ELECTRIC HEAT 1 TON**

CAB	LCAB	HACAB	RMP/AMP	CC	CY/YY	RVP	CUSTOM	CU
-----	------	-------	---------	----	-------	-----	--------	----



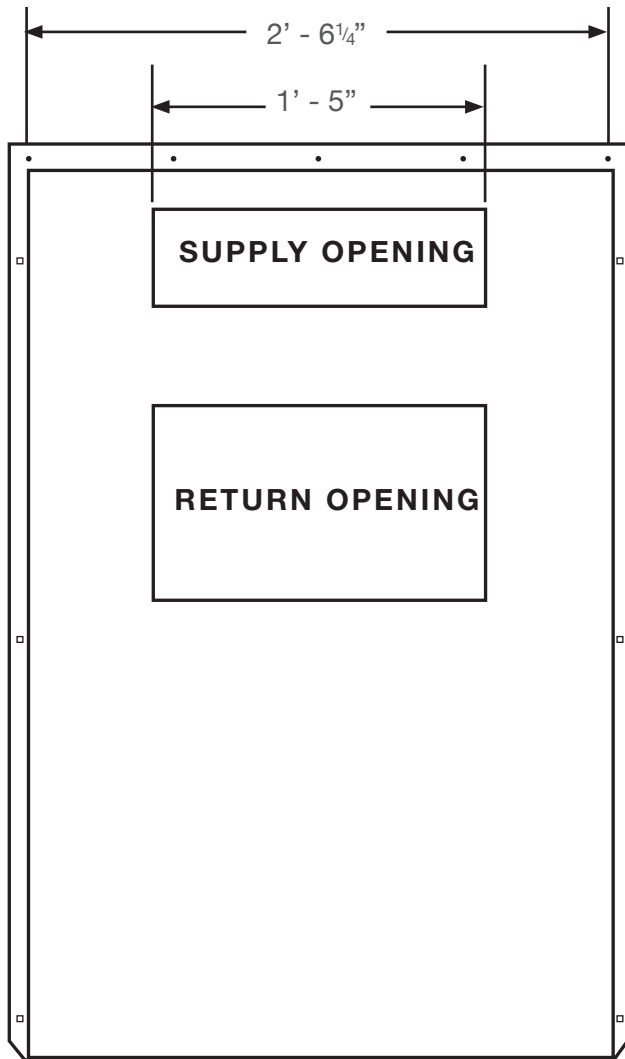


**GENERAL PURPOSE  
(ORDINARY) LOCATION**  
- 60 HZ -  
R-410 REFRIGERANT

(3 of 3)

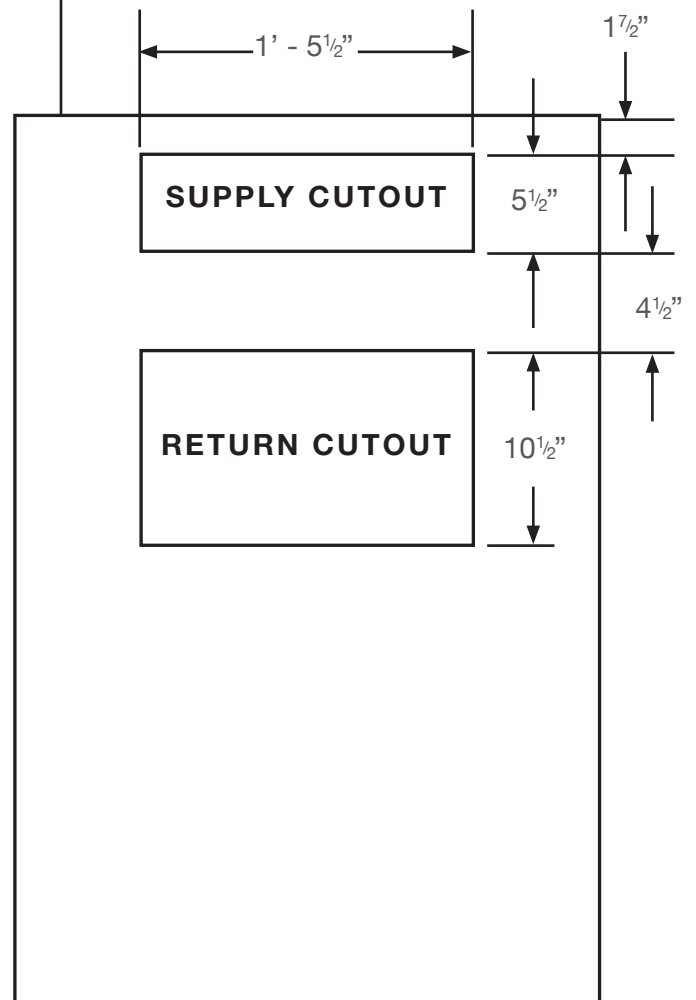
**CAB SERIES OF WALL MOUNT AIR CONDITIONERS WITH ELECTRIC HEAT 1 TON**

CAB	LCAB	HACAB	RMP/AMP	CC	CY/YY	RVP	CUSTOM	CU
-----	------	-------	---------	----	-------	-----	--------	----



**BACK VIEW**

**UNIT OUTLINE**



**WALL CUTOUT LOCATIONS**



**GENERAL PURPOSE  
(ORDINARY) LOCATION**  
- 60 HZ -  
R-410 REFRIGERANT

(1 of 3)

**CAB SERIES OF WALL MOUNT AIR CONDITIONERS 1.5 TO 5 TON**

CAB	LCAB	HACAB	RMP/AMP	CC	CY/YY	RVP	CUSTOM	CU
-----	------	-------	---------	----	-------	-----	--------	----

**AIR CONDITIONERS 1.5 TO 3 TON**

MODEL	CAB18-G-2	CAB24-G-2	CAB24-G-3	CAB30-G-2	CAB30-G-3
COOLING CAPACITY (BTUH)	16,400	24,000	24,000	29,400	29,400
POWER SUPPLY	230/208-1-60	230/208-1-60	230/208-3-60	230/208-1-60	230/208-3-60
COMPRESSOR - RLA	6.5/7.2	11.0/12.4	7.2/8.1	11.7/13.3	7.5/8.5
INDOOR BLOWER MOTOR - AMPS	1.2	1.2	1.2	2.2	2.2
OUTDOOR FAN MOTOR - AMPS	1.0	1.0	1.0	1.5	1.5
COOLING AMPS	9.4	14.6	10.3	17	12.2
COOLING WATTS	2,162	3,358	4,098	3,910	4,854
MINIMUM CIRCUIT AMPACITY	16	21	15	24	18
CIRCUIT BREAKER OR T-D FUSE	20	30	20	35	20
ROOM SIDE AIR (CFM) / ESP	600 @ 0.2"	800 @ 0.2"	800 @ 0.2"	1,000 @ 0.4"	1,000 @ 0.4"
FILTER SIZE - INCHES	16 X 25 X 1	16 X 25 X 1	16 X 25 X 1	16 X 30 X 1	16 X 30 X 1
CABINET SIZE	B	B	B	C	C
SHIPPING WEIGHT – LBS	355	355	355	395	395

**AIR CONDITIONERS 1.5 TO 3 TON** (continued)

MODEL	CAB30-G-4	CAB36-G-2	CAB36-G-3	CAB36-G-4
COOLING CAPACITY (BTUH)	29,400	35,400	35,400	35,400
POWER SUPPLY	460-3-60	230/208-1-60	230/208-3-60	460-3-60
COMPRESSOR - RLA	5.3	15.9/17.7	11.8/13.1	6.0
INDOOR BLOWER MOTOR - AMPS	1.1	2.2	2.2	1.1
OUTDOOR FAN MOTOR - AMPS	1.4	1.5	1.5	1.4
COOLING AMPS	7.8	21.4	16.0	8.5
COOLING WATTS	6,207	4,922	6,685	6,764
MINIMUM CIRCUIT AMPACITY	11	29	23	12.0
CIRCUIT BREAKER OR T-D FUSE	15	35	30	15
ROOM SIDE AIR (CFM) / ESP	1,000 @ 0.4"	1,100 @ 0.3"	1,100 @ 0.3"	1,100 @ 0.3"
FILTER SIZE - INCHES	16 X 30 X 1	16 X 30 X 1	16 X 30 X 1	16 X 30 X 1
CABINET SIZE	C	C	C	C
SHIPPING WEIGHT – LBS	395	395	395	395





**GENERAL PURPOSE  
(ORDINARY) LOCATION**  
- 60 HZ -  
R-410 REFRIGERANT

(2 of 3)

**CAB SERIES OF WALL MOUNT AIR CONDITIONERS 1.5 TO 5 TON**

CAB	LCAB	HACAB	RMP/AMP	CC	CY/YY	RVP	CUSTOM	CU
-----	------	-------	---------	----	-------	-----	--------	----

**AIR CONDITIONERS 3.5 TO 5 TON**

MODEL	CAB42-G-2	CAB42-G-3	CAB42-G-4	CAB48-G-2	CAB48-G-3
COOLING CAPACITY (BTUH)	41,000	41,000	41,000	47,000	47,000
POWER SUPPLY	230/208-1-60	230/208-3-60	460-3-60	230/208-1-60	230/208-3-60
COMPRESSOR - RLA	16.7/18.9	11.0/12.5	5.8	20.0/21.9	13.9/15.2
INDOOR BLOWER MOTOR - AMPS	3.3	3.3	1.9	3.3	3.3
OUTDOOR FAN MOTOR - AMPS	2.5	2.5	1.3	2.5	2.5
COOLING AMPS	24.7	18.3	9.0	27.7	21.0
COOLING WATTS	5,681	7,282	7,162	6,371	8,356
MINIMUM CIRCUIT AMPACITY	33	25	13	37	29
CIRCUIT BREAKER OR T-D FUSE	50	35	15	50	40
ROOM SIDE AIR (CFM) / ESP	1,400 @ 0.3"	1,400 @ 0.3"	1,400 @ 0.3"	1,550 @ 0.2"	1,550 @ 0.2"
FILTER SIZE - INCHES	20 X 30 X 1	20 X 30 X 1	20 X 30 X 1	20 X 30 X 1	20 X 30 X 1
CABINET SIZE	D	D	D	D	D
SHIPPING WEIGHT – LBS	545	545	545	545	545

**AIR CONDITIONERS 3.5 TO 5 TON** (continued)

MODEL	CAB48-G-4	CAB60-G-2	CAB60-G-3	CAB60-G-4
COOLING CAPACITY (BTUH)	47,000	55,000	55,000	55,000
POWER SUPPLY	460-3-60	230/208-1-60	230/208-3-60	460-3-60
COMPRESSOR - RLA	6.8	22.6/25.5	13.5/15.2	7.6
INDOOR BLOWER MOTOR - AMPS	1.9	3.3	3.3	1.9
OUTDOOR FAN MOTOR - AMPS	1.3	2.5	2.5	1.3
COOLING AMPS	10.0	31.3	21.0	10.8
COOLING WATTS	7,958	7,199	8,356	8,595
MINIMUM CIRCUIT AMPACITY	14	41	28	15
CIRCUIT BREAKER OR T-D FUSE	20	60	40	20
ROOM SIDE AIR (CFM) / ESP	1,550 @ 0.2"	1,700 @ 0.3"	1,700 @ 0.3"	1,700 @ 0.3"
FILTER SIZE - INCHES	20 X 30 X 1	20 X 30 X 1	20 X 30 X 1	20 X 30 X 1
CABINET SIZE	D	D	D	D
SHIPPING WEIGHT – LBS	545	545	545	545



**GENERAL PURPOSE  
(ORDINARY) LOCATION**

- 60 HZ -  
R-410 REFRIGERANT

(3 of 3)

**CAB SERIES OF WALL MOUNT AIR CONDITIONERS 2 TO 5 TON**

CAB	LCAB	HACAB	RMP/AMP	CC	CY/YY	RVP	CUSTOM	CU
-----	------	-------	---------	----	-------	-----	--------	----

**NOTES:**

1. COOLING CAPACITIES RATED AT 95°F. AMBIENT WITH 80°DB / 67°WB RETURN AIR TEMPERATURE.
2. MAXIMUM ALLOWABLE SIZE HACR TYPE CIRCUIT BREAKERS OR FUSES LISTED ABOVE FOR EQUIPMENT.
3. INSTALLATION WIRING MUST CONFORM TO THE NATIONAL ELECTRICAL CODE AS WELL AS ALL LOCAL AND STATE CODES.
4. SPECIFICATIONS ARE SUBJECT TO CHANGE WITHOUT NOTICE, 6-25-11.



**GENERAL PURPOSE  
(ORDINARY) LOCATION**  
- 60 HZ -  
R-410 REFRIGERANT

(1 of 2)

**CAB SERIES OF WALL MOUNT AIR CONDITIONERS WITH ELECTRIC HEAT 1.5 TO 5 TON**

CAB	LCAB	HACAB	RMP/AMP	CC	CY/YY	RVP	CUSTOM	CU
-----	------	-------	---------	----	-------	-----	--------	----

MODEL	POWER SUPPLY	MCA	MOCP	UNIT AMPS COOLING	UNIT AMPS HEATING	COOLING CAPACITY (BTUH)	HEATING CAPACITY (KW)	COOLING WATTS	HEATING WATTS	ROOM SIDE AIR CFM / ESP	UNIT WEIGHT	UNIT SIZE
CAB18-G-2-05	230/208-1-60	30	30	9.4	21.8	16,400	5	2,162	5,014	600 @ 0.2"	335	B
CAB18-G-2-10	230/208-1-60	56	60	9.4	42.7	16,400	10	2,162	9,821	600 @ 0.2"	335	B
CAB24-G-2-05	230/208-1-60	30	30	14.6	21.8	24,000	5	3,358	5,014	800 @ 0.2"	335	B
CAB24-G-2-10	230/208-1-60	56	60	14.6	42.7	24,000	10	3,358	9,821	800 @ 0.2"	335	B
CAB24-G-3-06	230/208-3-60	22	25	10.3	15.5	24,000	6	4,098	6,167	800 @ 0.2"	335	B
CAB30-G-2-05	230/208-1-60	32	35	17	23.0	29,400	5	3,910	5,290	1000 @ 0.4"	375	C
CAB30-G-2-10	230/208-1-60	58	60	17	43.9	29,400	10	3,910	10,097	1000 @ 0.4"	375	C
CAB30-G-2-15	230/208-1-60	84	90	17	64.7	29,400	15	3,910	14,881	1000 @ 0.4"	375	C
CAB30-G-3-09	230/208-3-60	33	35	12.2	23.9	29,400	9	4,854	9,510	1000 @ 0.4"	375	C
CAB30-G-3-15	230/208-3-60	51	60	12.2	38.3	29,400	15	4,854	15,240	1000 @ 0.4"	375	C
CAB30-G-4-09	460-3-60	17	20	7.8	11.9	29,400	9	6,207	9,470	1000 @ 0.4"	375	C
CAB30-G-4-15	460-3-60	26	30	7.8	19.2	29,400	15	6,207	15,279	1000 @ 0.4"	375	C
CAB36-G-2-05	230/208-1-60	32	35	21.4	23.0	35,400	5	4,922	5,290	1100 @ 0.3"	375	C
CAB36-G-2-10	230/208-1-60	58	60	21.4	43.9	35,400	10	4,922	10,097	1100 @ 0.3"	375	C
CAB36-G-2-15	230/208-1-60	84	90	21.4	64.7	35,400	15	4,922	14,881	1100 @ 0.3"	375	C
CAB36-G-3-09	230/208-3-60	33	35	16.8	23.9	35,400	9	6,685	9,510	1100 @ 0.3"	375	C
CAB36-G-3-15	230/208-3-60	51	60	16.8	38.3	35,400	15	6,685	15,240	1100 @ 0.3"	375	C
CAB36-G-4-09	460-3-60	17	20	8.5	11.9	35,400	9	6,764	9,470	1100 @ 0.3"	375	C
CAB36-G-4-15	460-3-60	26	30	8.5	19.2	35,400	15	6,764	15,279	1100 @ 0.3"	375	C
CAB42-G-2-05	230/208-1-60	33	50	24.7	24.1	41,000	5	5,681	5,543	1400 @ 0.3"	525	D
CAB42-G-2-10	230/208-1-60	59	60	24.7	45.0	41,000	10	5,681	10,350	1400 @ 0.3"	525	D
CAB42-G-2-15	230/208-1-60	85	90	24.7	65.8	41,000	15	5,681	15,134	1400 @ 0.3"	525	D
CAB42-G-3-09	230/208-3-60	34	35	18.3	25.0	41,000	9	7,282	9,948	1400 @ 0.3"	525	D
CAB42-G-3-15	230/208-3-60	53	60	18.3	39.5	41,000	15	7,282	15,717	1400 @ 0.3"	525	D
CAB42-G-4-09	460-3-60	18	20	9.0	12.7	41,000	9	7,162	10,107	1400 @ 0.3"	525	D
CAB42-G-4-15	460-3-60	27	30	9.0	20.0	41,000	15	7,162	15,916	1400 @ 0.3"	525	D
CAB48-G-2-05	230/208-1-60	37	50	27.7	24.1	47,000	5	6,371	5,543	1550 @ 0.2"	525	D
CAB48-G-2-10	230/208-1-60	59	60	27.7	45.0	47,000	10	6,371	10,350	1550 @ 0.2"	525	D
CAB48-G-2-15	230/208-1-60	85	90	27.7	65.8	47,000	15	6,371	15,134	1550 @ 0.2"	525	D
CAB48-G-3-09	230/208-3-60	34	40	21.0	25.0	47,000	9	8,356	9,948	1550 @ 0.2"	525	D
CAB48-G-3-15	230/208-3-60	53	60	21.0	39.5	47,000	15	8,356	15,717	1550 @ 0.2"	525	D



**GENERAL PURPOSE  
(ORDINARY) LOCATION**

- 60 HZ -  
R-410 REFRIGERANT

(2 of 2)

**CAB SERIES OF WALL MOUNT AIR CONDITIONERS WITH ELECTRIC HEAT 1.5 TO 5 TON**

CAB	LCAB	HACAB	RMP/AMP	CC	CY/YY	RVP	CUSTOM	CU
-----	------	-------	---------	----	-------	-----	--------	----

MODEL	POWER SUPPLY	MCA	MOCP	UNIT AMPS COOLING	UNIT AMPS HEATING	COOLING CAPACITY (BTUH)	HEATING CAPACITY (KW)	COOLING WATTS	HEATING WATTS	ROOM SIDE AIR CFM / ESP	UNIT WEIGHT	UNIT SIZE
CAB60-G-2-05	230/208-1-60	41	60	31.3	24.1	55,000	5	7,199	5,543	1700 @ 0.3"	525	D
CAB60-G-2-10	230/208-1-60	59	60	31.3	45.0	55,000	10	7,199	10,350	1700 @ 0.3"	525	D
CAB60-G-2-15	230/208-1-60	85	90	31.3	65.8	55,000	15	7,199	15,134	1700 @ 0.3"	525	D
CAB60-G-3-09	230/208-3-60	34	40	21.0	25.0	55,000	9	8,356	9,948	1700 @ 0.3"	525	D
CAB60-G-3-15	230/208-3-60	53	60	21.0	39.5	55,000	15	8,356	15,717	1700 @ 0.3"	525	D
CAB60-G-4-09	460-3-60	18	20	10.8	12.7	55,000	9	8,595	10,107	1700 @ 0.3"	525	D
CAB60-G-4-15	460-3-60	27	30	10.8	20.0	55,000	15	8,595	15,916	1700 @ 0.3"	525	D

**NOTES:**

1. COOLING CAPACITIES RATED AT 95°F. AMBIENT WITH 80°DB / 67°WB RETURN AIR TEMPERATURE.
2. MAXIMUM ALLOWABLE SIZE HACR TYPE CIRCUIT BREAKERS OR FUSES LISTED ABOVE FOR EQUIPMENT.
3. INSTALLATION WIRING MUST CONFORM TO THE NATIONAL ELECTRICAL CODE AS WELL AS ALL LOCAL AND STATE CODES.
4. SPECIFICATIONS SUBJECT TO CHANGE WITHOUT NOTICE, 6-25-11.
5. MCA – MINIMUM CIRCUIT AMPACITY
6. MOCP – MAXIMUM OPERATING CURRENT PROTECTION



**CAB SERIES OF WALL MOUNT HEAT PUMPS 1.5 TO 5 TON**

CAB	LCAB	HACAB	RMP/AMP	CC	CY/YY	RVP	CUSTOM	CU
-----	------	-------	---------	----	-------	-----	--------	----

**HEAT PUMPS 1.5 TO 3 TON**

MODEL	CABH18-G-2	CABH24-G-2	CABH24-G-3	CABH30-G-2	CABH30-G-3
COOLING CAPACITY (BTUH)	16,400	23,400	23,400	29,800	29,800
HEATING CAPACITY (BTUH)	16,000	24,000	24,000	29,000	29,000
POWER SUPPLY	230/208-1-60	230/208-1-60	230/208-3-60	230/208-1-60	230/208-3-60
COMPRESSOR - RLA	6.2/7.3	12.7/15.2	8.3/9.9	12.4/13.6	8.0/8.7
INDOOR BLOWER MOTOR - AMPS	1.0	1.0	1.0	2.2	2.2
OUTDOOR FAN MOTOR - AMPS	1.2	1.2	1.2	1.5	1.5
COOLING AMPS	9.5	17.4	12.1	17.3	12.4
COOLING WATTS	2,185	4,002	4,815	3,979	4,934
MINIMUM CIRCUIT AMPACITY	16	24	17	24	18
CIRCUIT BREAKER OR T-D FUZE	20	25	20	35	25
ROOM SIDE AIR (CFM) / ESP	600 @ 0.3"	800 @ 0.2"	800 @ 0.2"	1,000 @ 0.4"	1,000 @ 0.4"
FILTER SIZE - INCHES	16 X 25 X 1	16 X 25 X 1	16 X 25 X 1	16 X 30 X 1	16 X 30 X 1
CABINET SIZE	B	B	B	C	C
SHIPPING WEIGHT – LBS	360	360	360	400	400

**HEAT PUMPS 1.5 TO 3 TON (continued)**

MODEL	CABH30-G-4	CABH36-G-2	CABH36-G-3	CABH36-G-4
COOLING CAPACITY (BTUH)	29,800	34,600	34,600	34,600
HEATING CAPACITY (BTUH)	29,000	35,000	35,000	35,000
POWER SUPPLY	460-3-60	230/208-1-60	230/208-3-60	460-3-60
COMPRESSOR - RLA	5.5	14.7/16.4	10.9/12.1	5.5
INDOOR BLOWER MOTOR - AMPS	1.1	2.2	2.2	1.1
OUTDOOR FAN MOTOR - AMPS	1.4	1.5	1.5	1.4
COOLING AMPS	8.0	20.1	15.8	8.0
COOLING WATTS	6,366	4,623	6,287	6,366
MINIMUM CIRCUIT AMPACITY	11	29	23	12.0
CIRCUIT BREAKER OR T-D FUZE	15	40	30	15
ROOM SIDE AIR (CFM) / ESP	1,000 @ 0.4"	1,100 @ 0.3"	1,100 @ 0.3"	1,100 @ 0.3"
FILTER SIZE - INCHES	16 X 30 X 1	16 X 30 X 1	16 X 30 X 1	16 X 30 X 1
CABINET SIZE	C	C	C	C
SHIPPING WEIGHT – LBS	400	400	400	400



**GENERAL PURPOSE  
(ORDINARY) LOCATION**  
- 60 HZ -  
R-410 REFRIGERANT

(2 of 3)

**CAB SERIES OF WALL MOUNT HEAT PUMPS 1.5 TO 5 TON**

CAB	LCAB	HACAB	RMP/AMP	CC	CY/YY	RVP	CUSTOM	CU
-----	------	-------	---------	----	-------	-----	--------	----

**HEAT PUMPS 3.5 TO 5 TON**

MODEL	CABH42-G-2	CABH42-G-3	CABH42-G-4	CABH48-G-2	CABH48-G-3
COOLING CAPACITY (BTUH)	42,000	42,000	42,000	46,000	46,000
HEATING CAPACITY (BTUH)	42,000	42,000	42,000	44,000	44,000
POWER SUPPLY	230/208-1-60	230/208-3-60	460-3-60	230/208-1-60	230/208-3-60
COMPRESSOR - RLA	18.4/21.5	11.6/13.5	6.1	19.5/21.2	13.6/14.7
INDOOR BLOWER MOTOR - AMPS	3.3	3.3	1.9	3.3	3.3
OUTDOOR FAN MOTOR - AMPS	2.5	2.5	1.3	2.5	2.5
COOLING AMPS	27.3	19.3	9.3	27.0	20.5
COOLING WATTS	6,279	7,680	7,401	6,210	8,157
MINIMUM CIRCUIT AMPACITY	36	26	13	37	29
CIRCUIT BREAKER OR T-D FUZE	50	35	15	50	35
ROOM SIDE AIR (CFM) / ESP	1,400 @ 0.3"	1,400 @ 0.3"	1,400 @ 0.3"	1,550 @ 0.2"	1,550 @ 0.2"
FILTER SIZE - INCHES	20 X 30 X 1	20 X 30 X 1	20 X 30 X 1	20 X 30 X 1	20 X 30 X 1
CABINET SIZE	D	D	D	D	D
SHIPPING WEIGHT – LBS	550	550	550	550	550

**HEAT PUMPS 3.5 TO 5 TON (continued)**

MODEL	CABH48-G-4	CABH60-G-2	CABH60-G-3	CABH60-G-4
COOLING CAPACITY (BTUH)	46,000	54,000	54,000	54,000
HEATING CAPACITY (BTUH)	44,000	54,000	54,000	54,000
POWER SUPPLY	460-3-60	230/208-1-60	230/208-3-60	460-3-60
COMPRESSOR - RLA	6.6	21.5/25.3	12.8/15.1	7.6
INDOOR BLOWER MOTOR - AMPS	1.9	3.3	3.3	1.9
OUTDOOR FAN MOTOR - AMPS	1.3	2.5	2.5	1.3
COOLING AMPS	9.8	31.1	20.9	10.8
COOLING WATTS	7,799	4,853	8,316	8,595
MINIMUM CIRCUIT AMPACITY	14	41	28	15
CIRCUIT BREAKER OR T-D FUZE	20	60	40	20
ROOM SIDE AIR (CFM) / ESP	1,550 @ 0.2"	1,700 @ 0.3"	1,700 @ 0.3"	1,700 @ 0.3"
FILTER SIZE - INCHES	20 X 30 X 1	20 X 30 X 1	20 X 30 X 1	20 X 30 X 1
CABINET SIZE	D	D	D	E
SHIPPING WEIGHT – LBS	550	580	580	580



**GENERAL PURPOSE  
(ORDINARY) LOCATION**

- 60 HZ -  
R-410 REFRIGERANT

(3 of 3)

**CAB SERIES OF WALL MOUNT HEAT PUMPS 1.5 TO 5 TON**

CAB	LCAB	HACAB	RMP/AMP	CC	CY/YY	RVP	CUSTOM	CU
-----	------	-------	---------	----	-------	-----	--------	----

**NOTES:**

1. COOLING CAPACITIES RATED AT 95°F. AMBIENT WITH 80°DB / 67°WB RETURN AIR TEMPERATURE.
2. MAXIMUM ALLOWABLE SIZE HACR TYPE CIRCUIT BREAKERS OR FUSES LISTED ABOVE FOR EQUIPMENT.
3. INSTALLATION WIRING MUST CONFORM TO THE NATIONAL ELECTRICAL CODE AS WELL AS ALL LOCAL AND STATE CODES.
4. SPECIFICATIONS ARE SUBJECT TO CHANGE WITHOUT NOTICE, 6-25-11.
5. HEAT PUMP RATINGS ARE AT 470 AMBIENT.
6. DO NOT OPERATE HEAT PUMPS BELOW 350 AMBIENT TEMPERATURES.



**CAB SERIES OF WALL MOUNT AIR CONDITIONERS 1.5 TO 5 TON**

CAB	LCAB	HACAB	RMP/AMP	CC	CY/YY	RVP	CUSTOM	CU
-----	------	-------	---------	----	-------	-----	--------	----

**UNIT DIMENSIONS**

UNIT SIZE	A WIDTH	B DEPTH	C HEIGHT	D	E	F	G	H	I	J	K	L	M	N	O	P	Q	R
B	33.30	17.12	70.56	19.88	7.88	20.56	11.88	28.06	8.38	20.06	12.38	20.38	27.81	4.19	12.00	5.00	34.13	35.00
C	38.20	17.12	70.56	27.88	7.88	17.93	13.88	28.75	8.38	17.43	14.38	28.55	28.55	4.19	12.00	5.00	34.13	40.00
D	42.07	22.43	84.87	29.88	9.88	30.00	15.88	26.94	10.3	29.5	16.38	30.38	26.69	1.44	16.00	1.88	43.00	43.88

**FILTER SIZE**

CABINET SIZE	FILTER SIZE
B	16" X 25" X 1"
C	16" X 30" X 1"
D	20" X 30" X 1"



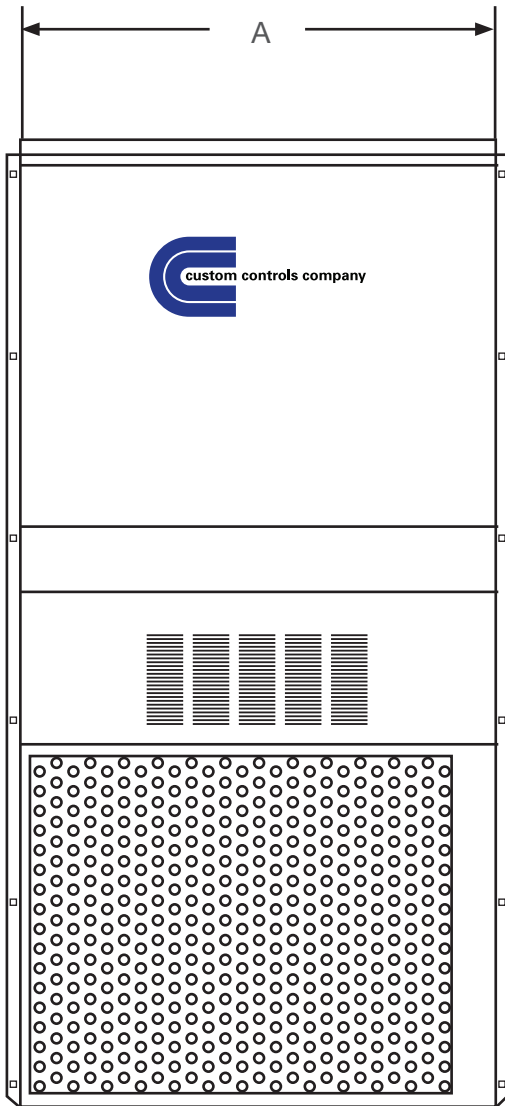


**GENERAL PURPOSE  
(UNCLASSIFIED) LOCATION**  
R-410 REFRIGERANT

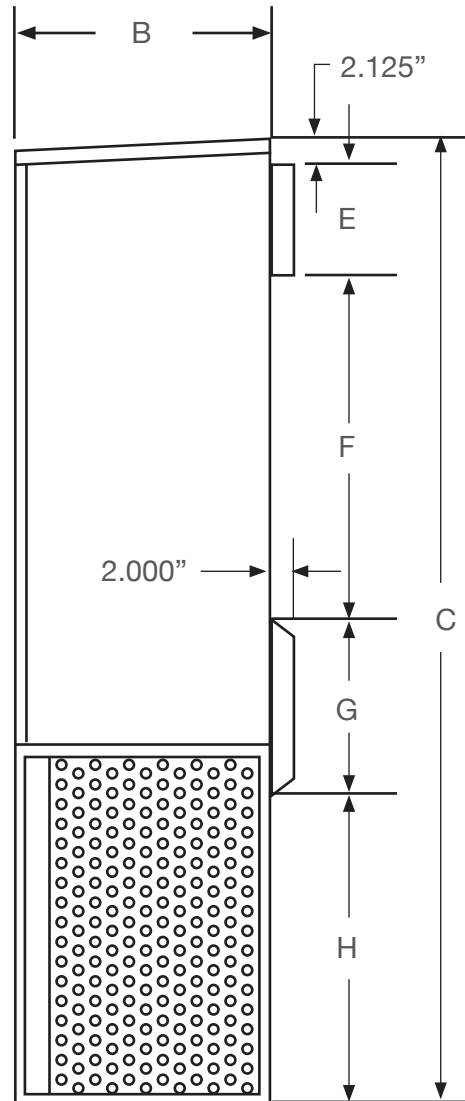
(1 of 2)

**CAB SERIES OF WALL MOUNT AIR CONDITIONERS 1.5 TO 5 TON**

CAB	LCAB	HACAB	RMP/AMP	CC	CY/YY	RVP	CUSTOM	CU
-----	------	-------	---------	----	-------	-----	--------	----



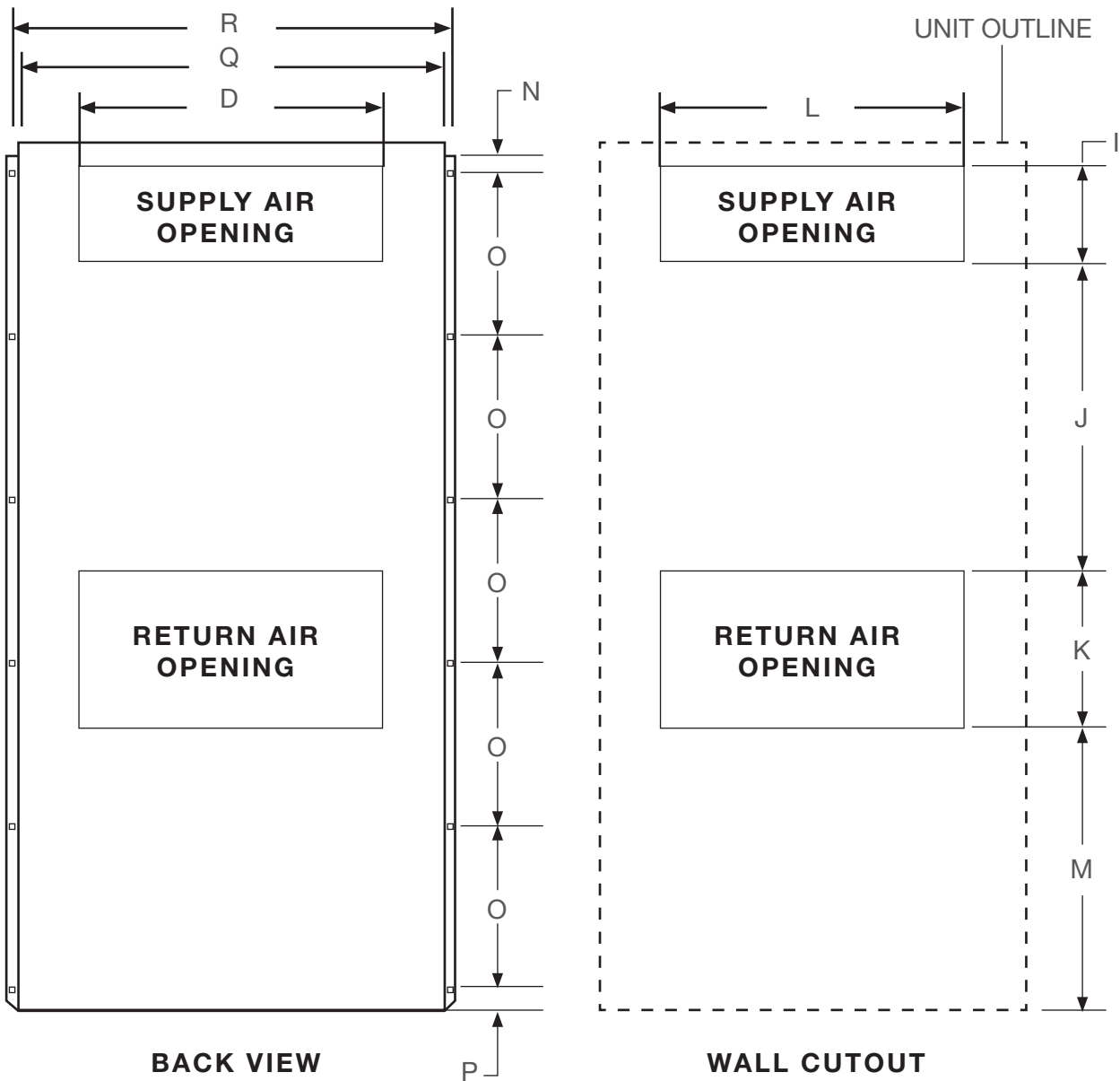
**FRONT VIEW**



**RIGHT SIDE VIEW**

**CAB SERIES OF WALL MOUNT AIR CONDITIONERS 1.5 TO 5 TON**

CAB	LCAB	HACAB	RMP/AMP	CC	CY/YY	RVP	CUSTOM	CU
-----	------	-------	---------	----	-------	-----	--------	----





**GENERAL PURPOSE  
(ORDINARY) LOCATION**  
- 50 HZ -  
R-410 REFRIGERANT

(1 of 3)

**CAB SERIES OF WALL MOUNT AIR CONDITIONERS 2 TO 5 TON**

CAB	LCAB	HACAB	RMP/AMP	CC	CY/YY	RVP	CUSTOM	CU
-----	------	-------	---------	----	-------	-----	--------	----

**AIR CONDITIONERS 2 TO 3 TON**

MODEL	CAB24-B2-7	CAB24-B2-5	CAB30-B2-7	CAB30-B2-5
COOLING CAPACITY (BTUH)	21,200	21,200	26,000	26,000
POWER SUPPLY	240/220-1-50	415/380-3-50	240/220-1-50	415/380-3-50
COMPRESSOR - RLA	9.4/10.6	4.8/5.0	12.9/14.7	4.8/4.8
INDOOR BLOWER MOTOR - AMPS	1.2	1.2	2.2	2.2
OUTDOOR FAN MOTOR - AMPS	1.0	1.0	1.5	1.5
COOLING AMPS	12.8	7.2	18.0	8.0
COOLING WATTS	3,072	5,169	4,320	5,744
MINIMUM CIRCUIT AMPACITY	16	9	23	9
CIRCUIT BREAKER OR T-D FUSE	20	15	35	15
M3/S COOLING / ESP (pa)	0.32/55	0.32/55	0.45/55	0.45/55
FILTER SIZE – (mm)	405 X 635 X 25	405 X 635 X 25	405 X 765 X 25	405 X 765 X 25
CABINET SIZE	B	B	C	C
SHIPPING WEIGHT – LBS (Kg)	335 (152)	335 (152)	375 (170)	375 (170)

**AIR CONDITIONERS 2 TO 3 TON** (continued)

MODEL	CAB36-B2-7	CAB36-B2-10	CAB36-B2-5
COOLING CAPACITY (BTUH)	31,200	31,200	31,200
POWER SUPPLY	240/220-1-50	220/200-3-50	415/380-3-50
COMPRESSOR - RLA	15.1/15.8	11.8/13.1	5.8/6.0
INDOOR BLOWER MOTOR - AMPS	2.2	2.2	2.2
OUTDOOR FAN MOTOR - AMPS	1.5	1.5	1.5
COOLING AMPS	19.5	16.0	9.0
COOLING WATTS	4,680	6,090	6,462
MINIMUM CIRCUIT AMPACITY	24	20	11
CIRCUIT BREAKER OR T-D FUSE	35	25	15
M3/S COOLING / ESP (pa)	0.47/50	0.47/50	0.47/50
FILTER SIZE – (mm)	405 X 765 X 25	405 X 765 X 25	405 X 765 X 25
CABINET SIZE	C	C	C
SHIPPING WEIGHT – LBS (Kg)	375 (170)	375 (170)	375 (170)



**GENERAL PURPOSE  
(ORDINARY) LOCATION**  
- 50 HZ -  
R-410 REFRIGERANT

(2 of 3)

**CAB SERIES OF WALL MOUNT AIR CONDITIONERS 2 TO 5 TON**

CAB	LCAB	HACAB	RMP/AMP	CC	CY/YY	RVP	CUSTOM	CU
-----	------	-------	---------	----	-------	-----	--------	----

**AIR CONDITIONERS 3.5 TO 5 TON**

MODEL	CAB42-B2-10	CAB42-B2-5	CAB48-B2-10	CAB48-B2-5
COOLING CAPACITY (BTUH)	36,000	36,000	41,500	41,500
POWER SUPPLY	220/200-3-50	415/380-3-50	220/200-3-50	415/380-3-50
COMPRESSOR - RLA	11.0/12.5	5.8/5.8	13.9/15.2	7.1/7.1
INDOOR BLOWER MOTOR - AMPS	3.3	3.3	3.3	3.3
OUTDOOR FAN MOTOR - AMPS	2.5	2.5	2.5	2.5
COOLING AMPS	18.3	11.6	21.0	12.9
COOLING WATTS	7,046	8,328	7,993	9,262
MINIMUM CIRCUIT AMPACITY	25	14	27	15
CIRCUIT BREAKER OR T-D FUSE	35	20	35	20
M3/S COOLING / ESP (pa)	0.55/75	0.55/75	0.60/50	0.60/50
FILTER SIZE – (mm)	508 X 765 X 25	508 X 765 X 25	508 X 765 X 25	508 X 765 X 25
CABINET SIZE	D	D	D	D
SHIPPING WEIGHT – LBS (Kg)	525 (238)	525 (238)	525 (238)	525 (238)

**AIR CONDITIONERS 3.5 TO 5 TON** (continued)

MODEL	CAB60-B2-10	CAB60-B2-5	CAB70-B2-5
COOLING CAPACITY (BTUH)	48,500	48,500	59,000
POWER SUPPLY	220/200-3-50	415/380-3-50	400/380-3-50
COMPRESSOR - RLA	13.5/15.2	7.4/7.6	12.2/14.1
INDOOR BLOWER MOTOR - AMPS	3.3	3.3	3.3
OUTDOOR FAN MOTOR - AMPS	2.5	2.5	4.0
COOLING AMPS	21.0	13.4	21.4
COOLING WATTS	7,993	9,621	14,809
MINIMUM CIRCUIT AMPACITY	28	16	25
CIRCUIT BREAKER OR T-D FUSE	40	20	35
M3/S COOLING / ESP (pa)	0.66/75	0.66/75	0.70/50
FILTER SIZE – (mm)	508 X 765 X 25	508 X 765 X 25	508 X 765 X 25
CABINET SIZE	D	D	E
SHIPPING WEIGHT – LBS (Kg)	525 (238)	525 (238)	525 (238)



**GENERAL PURPOSE  
(ORDINARY) LOCATION**

- 50 HZ -  
R-410 REFRIGERANT

(3 of 3)

**CAB SERIES OF WALL MOUNT AIR CONDITIONERS 2 TO 5 TON**

CAB	LCAB	HACAB	RMP/AMP	CC	CY/YY	RVP	CUSTOM	CU
-----	------	-------	---------	----	-------	-----	--------	----

**NOTES:**

1. COOLING CAPACITIES RATED AT 95°F. AMBIENT WITH 80°DB / 67°WB RETURN AIR TEMPERATURE.
2. MAXIMUM ALLOWABLE SIZE HACR TYPE CIRCUIT BREAKERS OR FUSES LISTED ABOVE FOR EQUIPMENT.
3. INSTALLATION WIRING MUST CONFORM TO THE NATIONAL ELECTRICAL CODE AS WELL AS ALL LOCAL AND STATE CODES.
4. SPECIFICATIONS ARE SUBJECT TO CHANGE WITHOUT NOTICE, 6-25-11.
5. 415/380-3 AND 400/380-3 ELECTRICAL RATINGS ARE 3-PHASE WYE SYSTEMS REQUIRING (3) PHASE LEGS PLUS NEUTRAL AND GROUND.
6. THE INDOOR AND OUTDOOR MOTORS, AND 24V TRANSFORMER PRIMARY ARE CONNECTED AT 240 V DERIVED FROM ONE PHASE LEG TO NEUTRAL. THIS IS INTERNALLY CONNECTED AND NO FIELD WIRING REQUIRED.



**GENERAL PURPOSE  
(ORDINARY) LOCATION**  
- 50 HZ -  
R-410 REFRIGERANT

(1 of 2)

**CAB SERIES OF WALL MOUNT AIR CONDITIONERS WITH ELECTRIC HEAT 2 TO 5 TONS**

CAB	LCAB	HACAB	RMP/AMP	CC	CY/YY	RVP	CUSTOM	CU
-----	------	-------	---------	----	-------	-----	--------	----

MODEL	POWER SUPPLY	MCA	MOCP	UNIT AMPS COOLING	UNIT AMPS HEATING	COOLING CAPACITY (BTUH)	HEATING CAPACITY (KW)	COOLING WATTS	HEATING WATTS	ROOM SIDE AIR M <sup>3</sup> /s & ESP	UNIT WEIGHT (Kg)	UNIT SIZE
CAB24-G-7-05	240/220-1-50	28	30	12.8	22.0	21,200	5	3,072	5,280	0.32/55	335 (152)	B
CAB24-G-7-08	240/220-1-50	44	45	12.8	34.5	21,200	8	3,072	8,280	0.32/55	335 (152)	B
CAB24-G-5-05	415/380-3-50	11	15	7.2	8.2	21,200	5	5,169	5,887	0.32/55	335 (152)	B
CAB30-G-7-05	240/220-1-50	29	35	18.4	23.0	26,000	5	4,416	5,520	0.45/55	375 (170)	C
CAB30-G-7-10	240/220-1-50	55	60	18.4	43.9	26,000	10	4,416	10,536	0.45/55	375 (170)	C
CAB30-G-5-07	415/380-3-50	15	15	8.5	12.0	26,000	7	6,103	8,615	0.45/55	375 (170)	C
CAB30-G-5-12	415/380-3-50	24	25	8.5	18.9	26,000	12	6,103	13,569	0.45/55	375 (170)	C
CAB36-G-7-05	240/220-1-50	29	35	19.5	23.0	31,200	5	4,680	5,520	0.47/50	375 (170)	C
CAB36-G-7-10	240/220-1-50	55	60	19.5	43.9	31,200	10	4,680	10,536	0.47/50	375 (170)	C
CAB36-G-10-06	220/200-3-50	24	30	16.8	18.0	31,200	6	6,394	6,851	0.47/50	375 (170)	C
CAB36-G-10-12	220/200-3-50	40	40	16.8	33.7	31,200	12	6,394	12,826	0.47/50	375 (170)	C
CAB36-G-5-07	415/380-3-50	16	20	9.7	12.0	31,200	7	6,964	8,615	0.47/50	375 (170)	C
CAB36-G-5-12	415/380-3-50	25	25	9.7	18.9	31,200	12	6,964	13,569	0.47/50	375 (170)	C
CAB42-G-10-09	220/200-3-50	32	35	18.3	27.0	36,000	9	6,965	10,276	0.55/75	525 (238)	D
CAB42-G-10-15	220/200-3-50	53	60	18.3	42.7	36,000	15	6,965	16,252	0.55/75	525 (238)	D
CAB42-G-5-07	415/380-3-50	17	20	11.6	13.1	36,000	7	8,328	9,405	0.55/75	525 (238)	D
CAB42-G-5-14	415/380-3-50	31	35	11.6	22.8	36,000	14	8,328	16,369	0.55/75	525 (238)	D
CAB48-G-10-09	220/200-3-50	34	35	21.0	27.0	41,500	9	7,993	10,276	0.60/50	525 (238)	D
CAB48-G-10-15	220/200-3-50	53	60	21.0	42.7	41,500	15	7,993	16,252	0.60/50	525 (238)	D
CAB48-G-5-07	415/380-3-50	17	20	12.9	13.1	41,500	7	9,262	9,405	0.60/50	525 (238)	D
CAB48-G-5-14	415/380-3-50	31	35	12.9	22.8	41,500	14	9,262	16,369	0.60/50	525 (238)	D
CAB60-G-10-09	220/200-3-50	34	40	21.0	27.0	48,500	9	7,993	10,276	0.66/75	525 (238)	D
CAB60-G-10-15	220/200-3-50	53	60	21.0	42.7	48,500	15	7,993	16,252	0.66/75	525 (238)	D
CAB60-G-5-07	415/380-3-50	17	20	13.4	13.1	48,500	7	9,621	9,405	0.66/75	525 (238)	D
CAB60-G-5-1	415/380-3-50	31	35	13.4	22.8	48,500	14	9,621	16,369	0.66/75	525 (238)	D
CAB70-G-5-07	400/380-3-50	25	35	21.4	13.4	59,000	7	14,809	9,273	0.70/50	525 (238)	D
CAB70-G-5-14	400/380-3-50	31	35	21.4	23.5	59,000	14	14,809	16,262	0.70/50	525 (238)	E



**GENERAL PURPOSE  
(ORDINARY) LOCATION**

- 50 HZ -  
R-410 REFRIGERANT

(2 of 2)

**CAB SERIES OF WALL MOUNT AIR CONDITIONERS WITH ELECTRIC HEAT 2 TO 5 TONS**

CAB	LCAB	HACAB	RMP/AMP	CC	CY/YY	RVP	CUSTOM	CU
-----	------	-------	---------	----	-------	-----	--------	----

**NOTES:**

1. COOLING CAPACITIES RATED AT 95°F. AMBIENT WITH 80°DB / 67°WB RETURN AIR TEMPERATURE.
2. MAXIMUM ALLOWABLE SIZE HACR TYPE CIRCUIT BREAKERS OR FUSES LISTED ABOVE FOR EQUIPMENT.
3. INSTALLATION WIRING MUST CONFORM TO THE NATIONAL ELECTRICAL CODE AS WELL AS ALL LOCAL AND STATE CODES.
4. 415/380-3 AND 400/380-3 ELECTRICAL RATINGS ARE 3-PHASE WYE SYSTEMS REQUIRING (3) PHASE LEGS PLUS NEUTRAL AND GROUND.
5. THE INDOOR AND OUTDOOR MOTORS AND 24 V TRANSFORMER PRIMARY ARE CONNECTED AT 240 V DERIVED FROM ONE PHASE LEG TO NEUTRAL. THIS IS INTERNALLY CONNECTED AND NO FIELD WIRING REQUIRED.
6. SPECIFICATIONS SUBJECT TO CHANGE WITHOUT NOTICE, 6-25-11.
7. MCA – MINIMUM CIRCUIT AMPACITY
8. MOCP – MAXIMUM OPERATING CURRENT PROTECTION



**GENERAL PURPOSE  
(ORDINARY) LOCATION**

- 50 HZ -  
R-410 REFRIGERANT

(1 of 3)

**CAB SERIES OF WALL MOUNT AIR CONDITIONERS 2 TO 5 TONS**

CAB	LCAB	HACAB	RMP/AMP	CC	CY/YY	RVP	CUSTOM	CU
-----	------	-------	---------	----	-------	-----	--------	----

**UNIT DIMENSIONS**

UNIT SIZE	A WIDTH	B DEPTH	C HEIGHT	D	E	F	G	H	I	J	K	L	M	N	O	P	Q	R
B	33.30 (845)	17.12 (435)	70.56 (1792)	19.88 (505)	7.88 (200)	20.56 (522)	11.88 (302)	28.06 (713)	8.38 (213)	20.06 (509)	12.38 (314)	20.38 (518)	27.81 (706)	4.19 (106)	12.00 (305)	5.00 (127)	34.13 (867)	35.00 (889)
C	38.20 (970)	17.12 (435)	70.56 (1792)	27.88 (708)	7.88 (200)	17.93 (455)	13.88 (353)	28.75 (730)	8.38 (213)	17.43 (443)	14.38 (365)	28.38 (721)	28.55 (725)	4.19 (106)	12.00 (305)	5.00 (127)	39.13 (996)	40.00 (1016)
D	42.07 (1069)	22.43 (570)	84.87 (2410)	29.88 (759)	9.88 (251)	30.00 (762)	15.88 (403)	26.94 (684)	10.3 (262)	29.50 (749)	16.38 (416)	30.38 (772)	26.69 (678)	2.00 (51)	16.00 (406)	1.88 (48)	42.88 (1089)	43.88 (1115)
E	42.07 (1069)	22.43 (570)	94.87 (2410)	29.88 (759)	9.88 (251)	30.00 (762)	15.88 (403)	36.94 (939)	10.3 (262)	29.50 (749)	16.38 (416)	30.38 (772)	36.69 (932)	2.00 (51)	16.00 (406)	1.88 (48)	42.88 (1089)	43.88 (1115)

**FILTER SIZE**

CABINET SIZE	FILTER SIZE
B	16" X 25" X 1" (406 X 635 X 25)
C	16" X 30" X 1" (406 X 762 X 25)
D	20" X 30" X 1" (508 X 762 X 25)
E	20" X 30" X 1" (508 X 762 X 25)





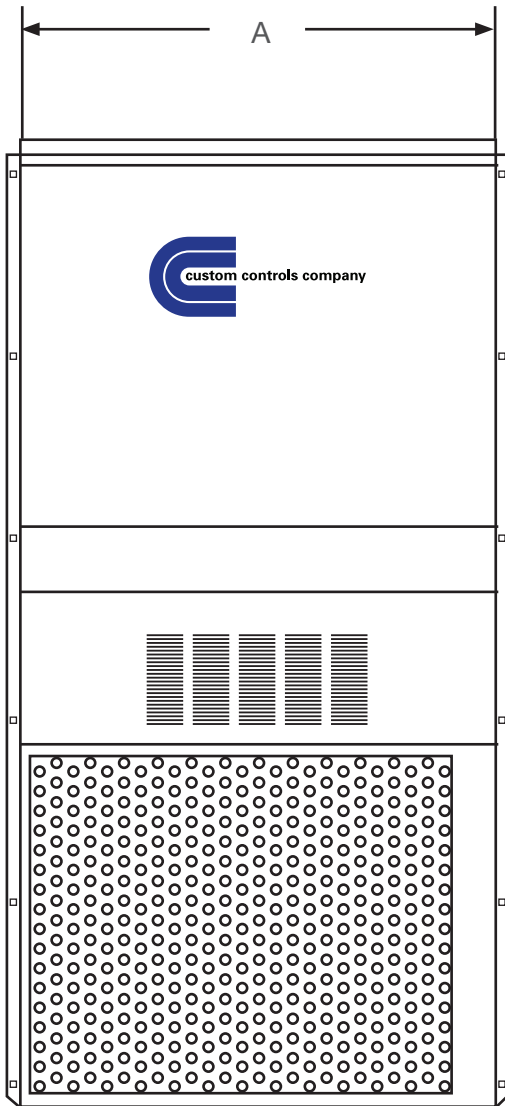
**GENERAL PURPOSE  
(ORDINARY) LOCATION**

- 50 HZ -  
R-410 REFRIGERANT

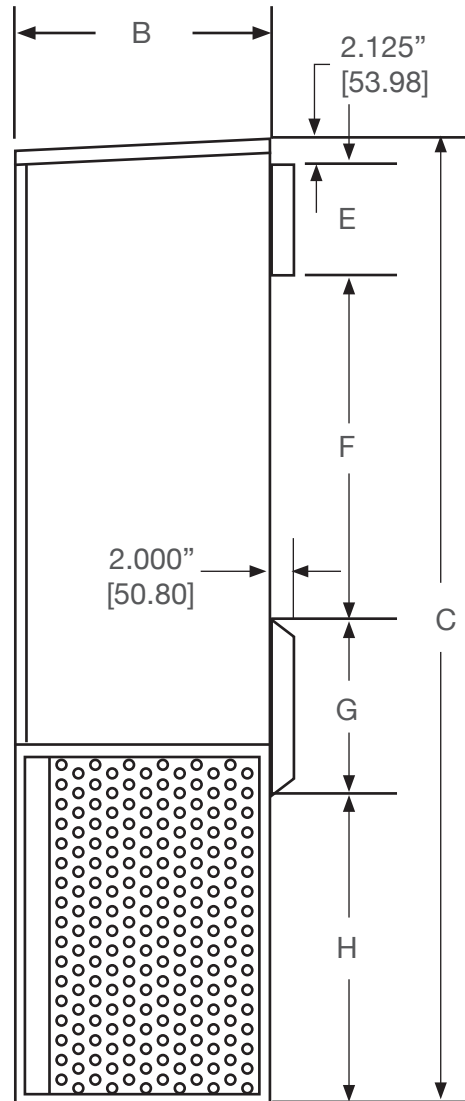
(2 of 3)

**CAB SERIES OF WALL MOUNT AIR CONDITIONERS 2 TO 5 TONS**

CAB	LCAB	HACAB	RMP/AMP	CC	CY/YY	RVP	CUSTOM	CU
-----	------	-------	---------	----	-------	-----	--------	----



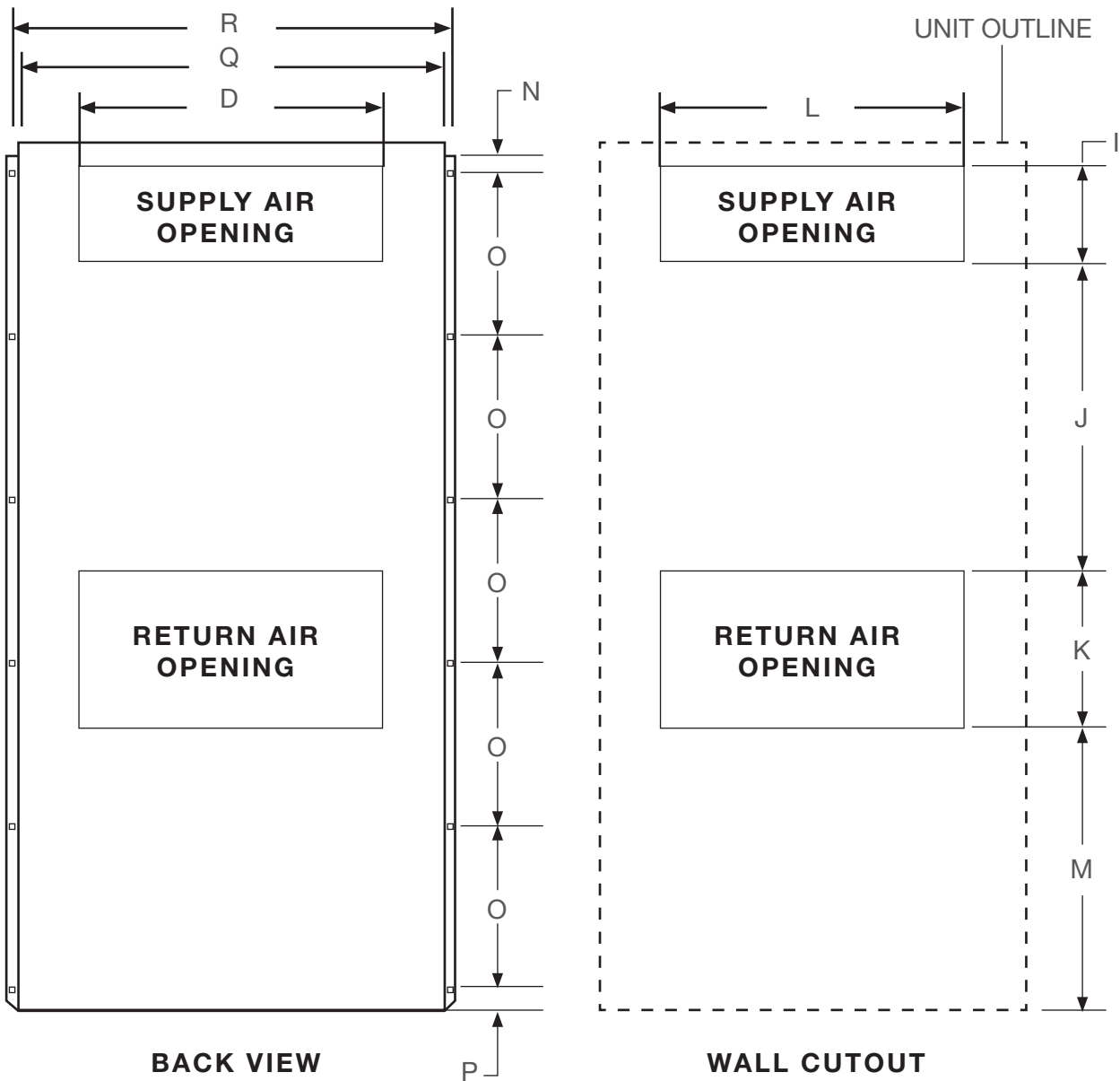
**FRONT VIEW**



**RIGHT SIDE VIEW**

**CAB SERIES OF WALL MOUNT AIR CONDITIONERS 2 TO 5 TONS**

CAB	LCAB	HACAB	RMP/AMP	CC	CY/YY	RVP	CUSTOM	CU
-----	------	-------	---------	----	-------	-----	--------	----





**GENERAL PURPOSE**

- 60 HZ -  
R-410 REFRIGERANT

(1 of 3)

**CAB SERIES OF WALL MOUNT AIR CONDITIONERS 6 TON**

CAB	LCAB	HACAB	RMP/AMP	CC	CY/YY	RVP	CUSTOM	CU
-----	------	-------	---------	----	-------	-----	--------	----

MODEL	CAPACITY	POWER SUPPLY	COMPRESSOR RLA	INDOOR BLOWER MOTOR AMPS	OUTDOOR FAN MOTOR AMPS	COOLING AMPS
CAB70-G-2	68,000	230/208-1-60	31	3.3	4.0	38.3
CAB70-G-3	68,000	230/208-3-60	26.6	3.3	4.0	33.9
CAB70-G-4	68,000	460-3-60	14.1	1.9	1.7	17.7

(continued)

MODEL	COOLING WATTS	MCA	CIRCUIT BREAKER OR T.D. FUSE	ROOM SIDE AIR (CFM)/ESP	SHIPPING WEIGHT (LBS)
CAB70-G-2	8,809	49	60	1,800 @ 0.2"	575
CAB70-G-3	13,489	43	50	1,800 @ 0.2"	575
CAB70-G-4	14,086	23	30	1,800 @ 0.2"	575

**FILTER SIZE**

CABINET SIZE	FILTER SIZE
CAB 70	20" X 30" X 1"



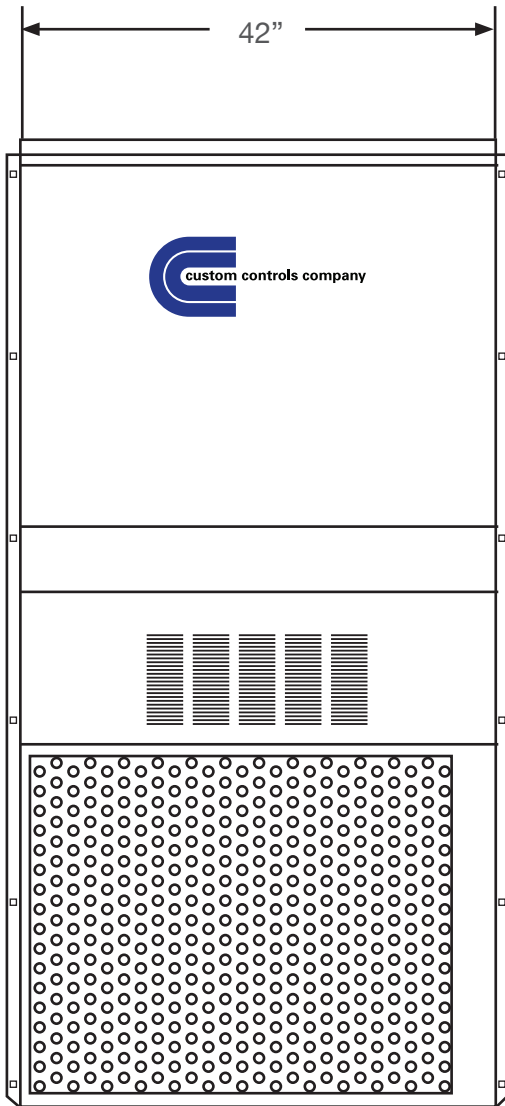
**GENERAL PURPOSE**

- 60 HZ -  
R-410 REFRIGERANT

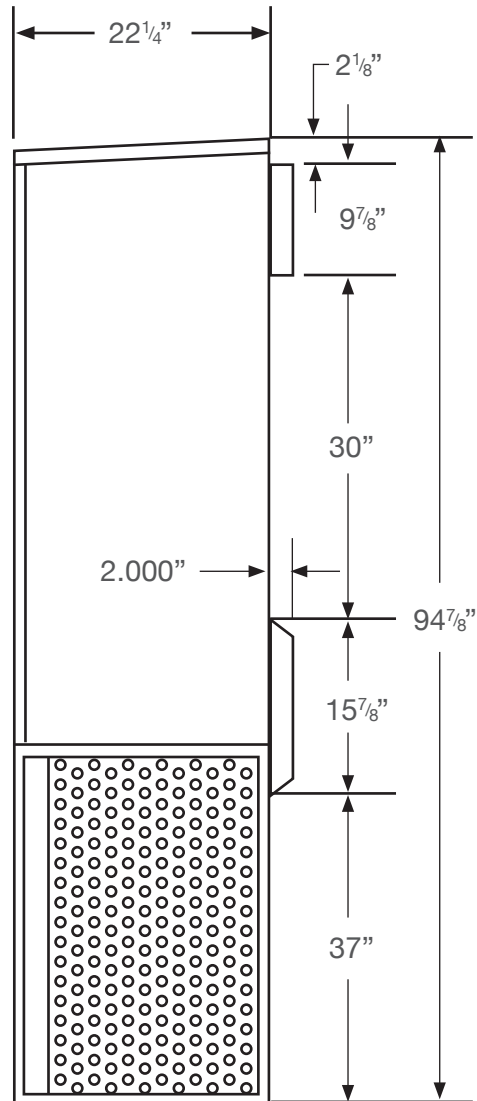
(2 of 3)

**CAB SERIES OF WALL MOUNT AIR CONDITIONERS 6 TON**

CAB	LCAB	HACAB	RMP/AMP	CC	CY/YY	RVP	CUSTOM	CU
-----	------	-------	---------	----	-------	-----	--------	----



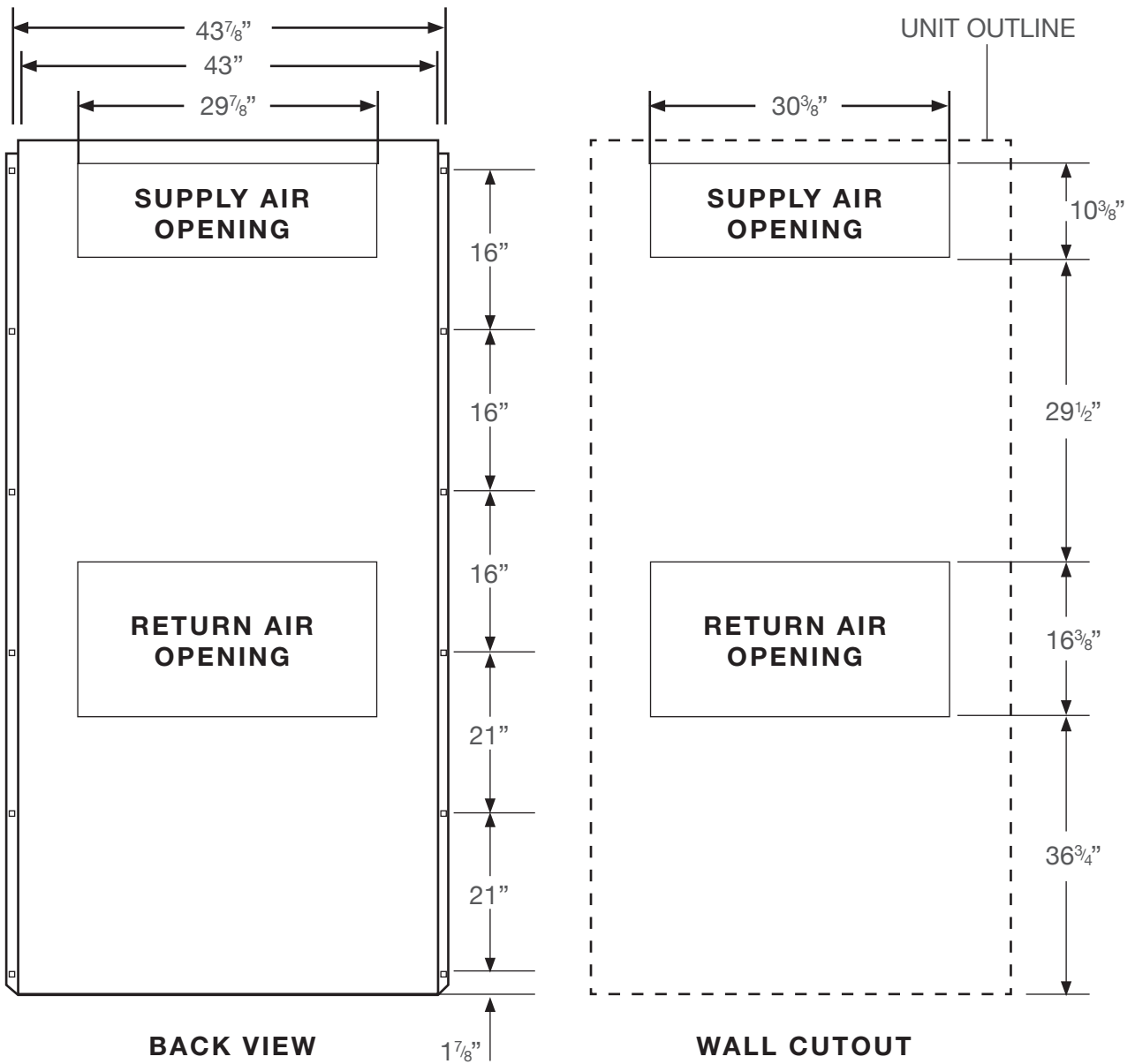
**FRONT VIEW**



**RIGHT SIDE VIEW**

**CAB SERIES OF WALL MOUNT AIR CONDITIONERS 6 TON**

CAB	LCAB	HACAB	RMP/AMP	CC	CY/YY	RVP	CUSTOM	CU
-----	------	-------	---------	----	-------	-----	--------	----





**GENERAL PURPOSE**

- 60 HZ -  
R-410 REFRIGERANT

(1 of 3)

**CAB SERIES OF WALL MOUNT AIR CONDITIONERS WITH ELECTRIC HEAT 6 TON**

CAB	LCAB	HACAB	RMP/AMP	CC	CY/YY	RVP	CUSTOM	CU
-----	------	-------	---------	----	-------	-----	--------	----

MODEL	CAPACITY	POWER SUPPLY	COMPRESSOR RLA	INDOOR BLOWER MOTOR AMPS	OUTDOOR FAN MOTOR AMPS	COOLING AMPS
CAB70-G-2-05	230/208-1-60	49	60	38.3	24.1	68,000
CAB70-G-2-10	230/208-1-60	59	60	38.3	45.0	68,000
CAB70-G-2-15	230/208-1-60	85	90	38.3	65.8	68,000
CAB70-G-3-09	230/208-3-60	43	50	33.9	25.0	68,000
CAB70-G-3-15	230/208-3-60	53	60	33.9	39.5	68,000
CAB70-G-4-09	460-3-60	23	30	17.7	12.7	68,000
CAB70-G-4-15	460-3-60	27	35	17.7	20.0	68,000

(continued)

MODEL	COOLING WATTS	MCA	CIRCUIT BREAKER OR T.D. FUSE	ROOM SIDE AIR (CFM)/ESP	SHIPPING WEIGHT (LBS)
CAB70-G-2-05	5	8,809	5,543	1,800 @ 0.2"	575
CAB70-G-2-10	10	8,809	10,350	1,800 @ 0.2"	575
CAB70-G-2-15	15	8,809	15,134	1,800 @ 0.2"	575
CAB70-G-3-09	9	13,489	9,948	1,800 @ 0.2"	575
CAB70-G-3-15	15	13,489	15,717	1,800 @ 0.2"	575
CAB70-G-4-09	9	14,086	10,107	1,800 @ 0.2"	575
CAB70-G-4-15	15	14,086	15,916	1,800 @ 0.2"	575

**FILTER SIZE**

CABINET SIZE	FILTER SIZE
CAB 70	20" X 30" X 1"



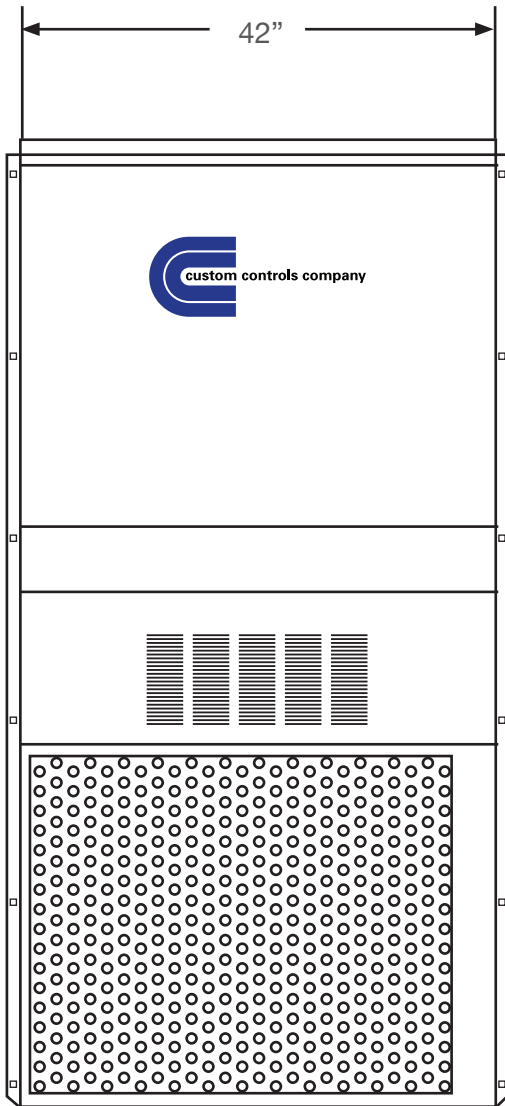
**GENERAL PURPOSE**

- 60 HZ -  
R-410 REFRIGERANT

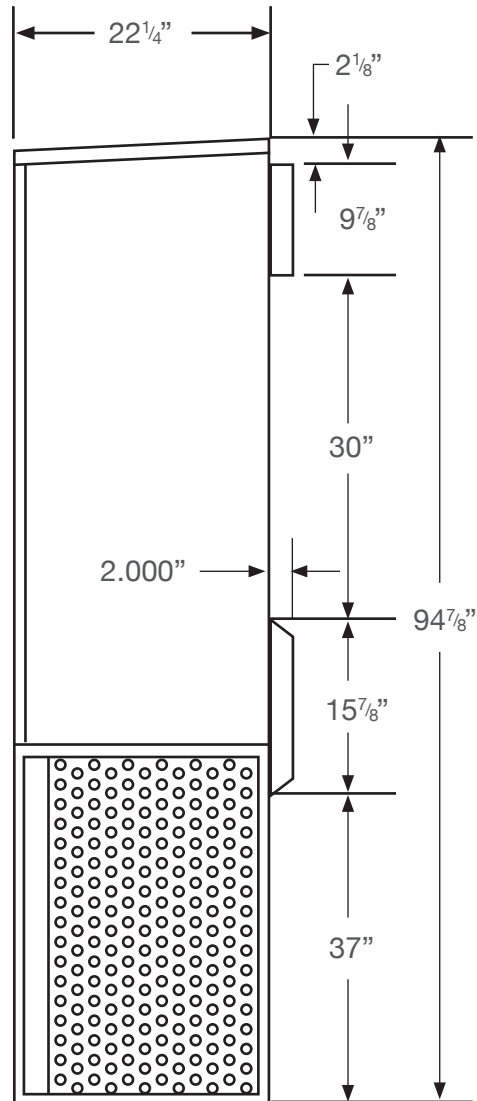
(2 of 3)

**CAB SERIES OF WALL MOUNT AIR CONDITIONERS WITH ELECTRIC HEAT 6 TON**

CAB	LCAB	HACAB	RMP/AMP	CC	CY/YY	RVP	CUSTOM	CU
-----	------	-------	---------	----	-------	-----	--------	----



**FRONT VIEW**



**RIGHT SIDE VIEW**

**CAB SERIES OF WALL MOUNT AIR CONDITIONERS WITH ELECTRIC HEAT 6 TON**

CAB	LCAB	HACAB	RMP/AMP	CC	CY/YY	RVP	CUSTOM	CU
-----	------	-------	---------	----	-------	-----	--------	----

